

### KSB spindle beam clamps



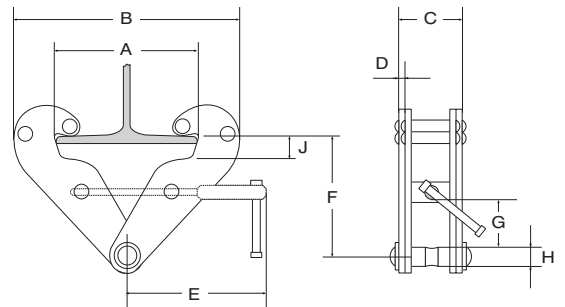
For safe lifting and moving of steel beams or as a fixed suspension point.

**Properties**

- Low constructional height.
- Easy mounting due to the spindle.
- Suitable for both IPE or INP steel beams.
- Safetyfactor: 4 x rated load capacity.
- Allen screw for extra safety.

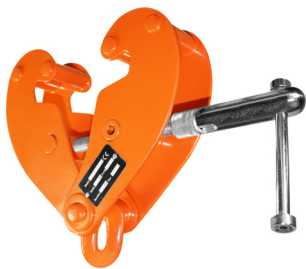
**Norm:**

- EN12100-1/2, EN13155, AS4991, ASME-B30,20



Type	WLL (kg)	Jaw opening (mm)	A max (mm)	B max (mm)	B min (mm)	C (mm)	D (mm)	E (mm)	F max (mm)	F min (mm)	G (mm)	H (mm)	J (mm)	Weight (kg)	ProductId
KSB-1	1000	80 - 240	270	370	183	94	4	198	154	100	22	21	23	4	3317001
KSB-2	2000	80 - 240	270	370	183	102	6	198	154	100	22	21	23	5	3317002
KSB-3	3000	90 - 330	355	500	243	132	8	263	219	148	46	23	35	8	3317003
KSB-5	5000	90 - 330	355	500	243	142	10	263	219	148	43	29	35	11.5	3317005
KSB-10	10000	90 - 350	364	521	269	180	12	285	239	165	51	39	35	16.5	3317010

### KSBO spindle beam clamps with eye



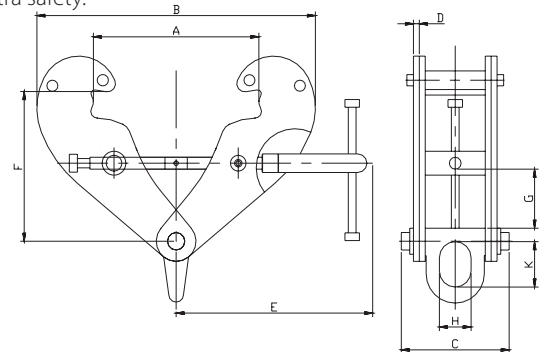
For lifting and transportation of beams or as fixed suspension points.

**Properties**

- Equipped with suspension eye.
- Locking spindle by means of Allen screw for extra safety.
- Easy assembly by spindle.
- Suitable for IPE and INP bars.
- Safety factor 4 x WLL.

**Norm:**

- EN12100-1/2, EN13155, AS4991, ASME-B30,20



Type	WLL (kg)	Jaw opening (mm)	A max (mm)	B min (mm)	B max (mm)	C (mm)	D (mm)	E (mm)	F max (mm)	F min (mm)	G (mm)	H (mm)	K (mm)	Weight (kg)	ProductId
KSBO-1	1000	80-245	270	183	370	94	4	218	100	154	18	28	43	4.0	3317101
KSBO-2	2000	80-245	270	183	370	102	6	218	100	154	18	28	43	5.0	3317102
KSBO-3	3000	90-330	355	243	500	132	8	276	148	219	40	43	60	10.0	3317103
KSBO-5	5000	90-330	355	243	500	142	10	276	148	219	40	43	60	12.0	3317105
KSBO-10	10000	90-340	364	269	521	180	12	301	165	239	47	62	91	18.5	3317110